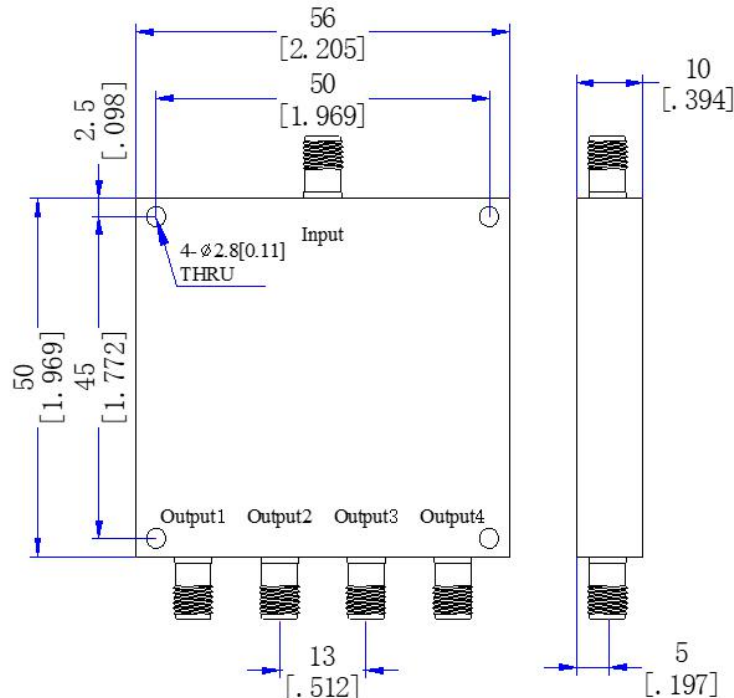


XQY-PS4-2/8-SE

精密高频功分/合路器

precision RF power splitter/Combiner

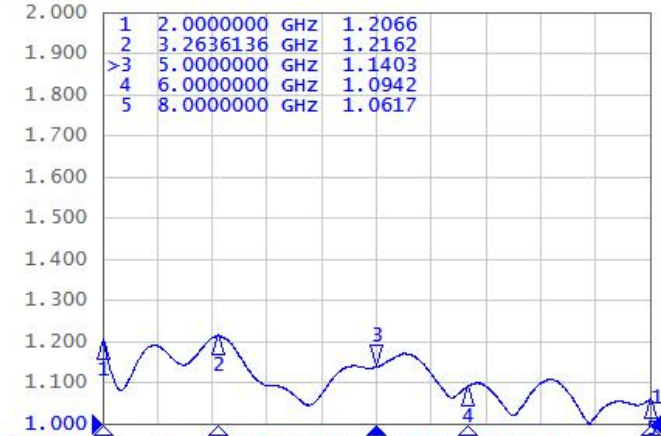
参数/Parameters	规格/Specifications
频率范围 Frequency Range	2000 ~ 8000 MHz
插入损耗 Insertion Loss	≤ 1.0 dB (Excluding theoretical loss 未含理论损耗 6.0 dB)
输入驻波 Input Port VSWR	Typ.1.16 / Max.1.25
输出驻波 Output Port VSWR	Typ.1.14 / Max.1.20
隔离度 Isolation	Typ.25dB / Min.20dB
幅度平衡 Amplitude Balance	± 0.3dB
相位平衡 Phase Balance	±4°
阻抗 Impedance	50 Ohms
端口接头 Input/Output Connectors	SMA-Female (Passivated Stainless Steel)
承受功率 Power Rating	Splitter 分路器用时 30W; Combiner 合路器用时 2W
工作温度 Operation Temperature	-45°C ~ +85°C
表面处理 Surface Finishing	Black paint 黑色烤漆
外形尺寸 Outline Dimensions	50*56*10 (mm)
重量 Weight	64 (g)



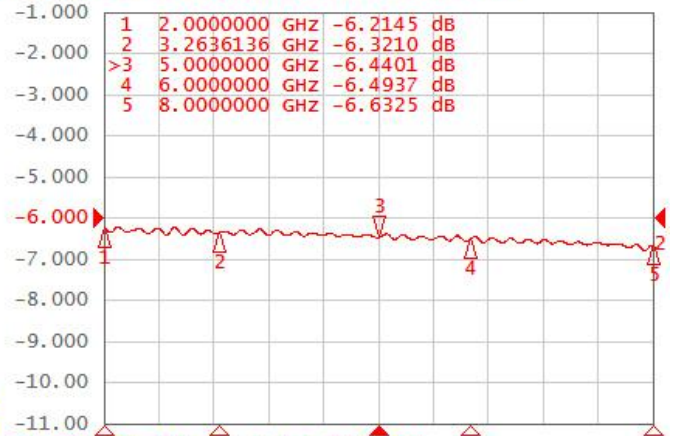
注: 尺寸(mm/[英寸]), 一般公差(± 0.3)

Note: Dimensions (mm / [inch]), General tolerance (±0.3)

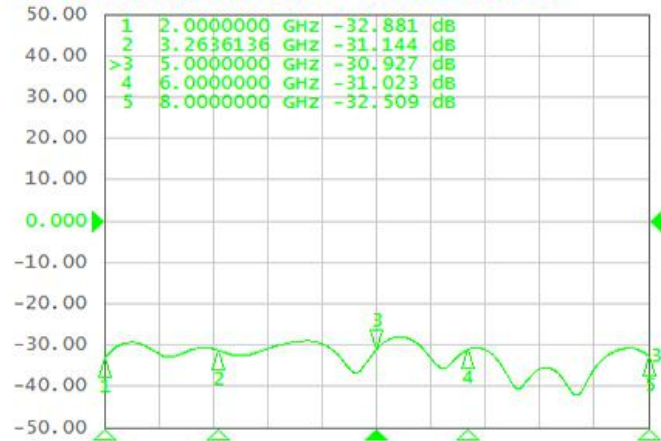
Tr1 S11 SWR 100.0m/ Ref 1.000 [F2]



Tr2 S21 Log Mag 1.000dB/ Ref -6.000dB [F2]



Tr3 S21 Log Mag 10.00dB/ Ref 0.000dB [F2 Smo]



Tr4 S22 SWR 100.0m/ Ref 1.000 [F2]

